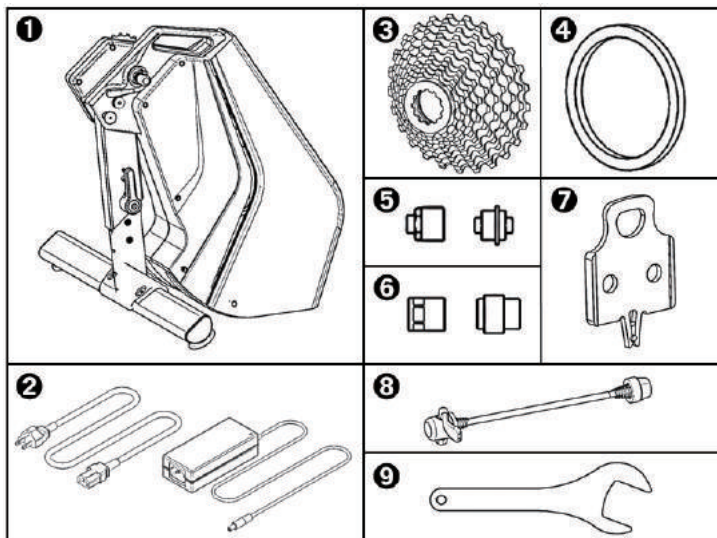


## In the Box



**1** CycloSmart with stabilizer

**2** Power Adapter

**3** 11 speed cassette (pre-installed)

**4** Spacer for 9/10 speed cassette

**5** Hub spacers for 130/135 QR

**6** Hub spacers for 142/148 thru axle

**7** Disc brake pad spacer

**8** Quick release

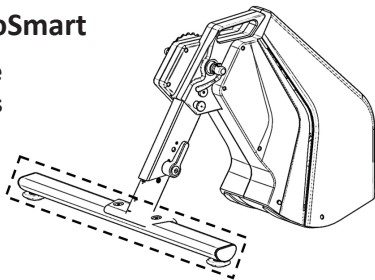
**9** 17mm wrench

## Important notice before riding

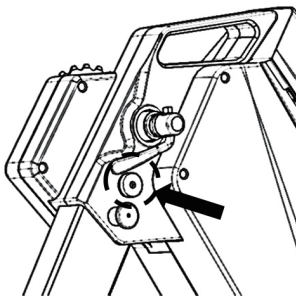
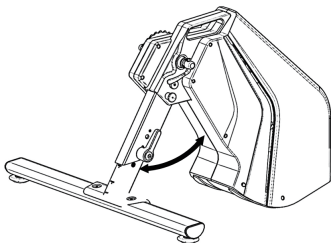
- Please check the weight limitation of your bicycle. Please do not exceed the limitation.
- Please use this product on a level surface.
- Before riding please check that your bicycle is fixed on the CycloSmart properly.
- Please use the power adapter from this product only.
- Please don't put your hands and any article on the CycloSmart when it is rotating.
- Keep this product away from water and high temperatures.
- Operating environment temperature range:  $-10^{\circ}\text{C}\sim 50^{\circ}\text{C}/14^{\circ}\text{F}\sim 122^{\circ}\text{F}$ .
- Storage environment temperature range:  $-20^{\circ}\text{C}\sim 70^{\circ}\text{C}/-4^{\circ}\text{F}\sim 158^{\circ}\text{F}$ .
- Read the safety section of the owner's manual from your bicycle.
- Always consult your physician before you begin any training program.

## Setting up/storing your CycloSmart

**1. Assemble the stabilizer onto the CycloSmart: tighten the two bolts using 5mm Allen key (22Nm/220Kgf-cm).**



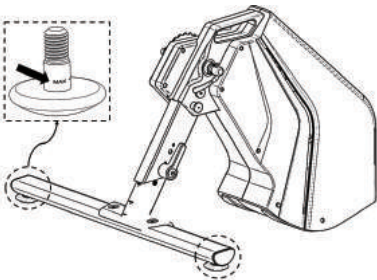
**2. Adjust the tightness of shoulder bolt using 5mm Allen key.**



**Caution:** The telescopic stand should not hang down loosely.

### 3. Adjust the stabilizer foot bolt to place the CycloSmart horizontal.

Caution: Please do not exceed over the MAX indication of the stabilizer foot bolts to avoid any dangers.

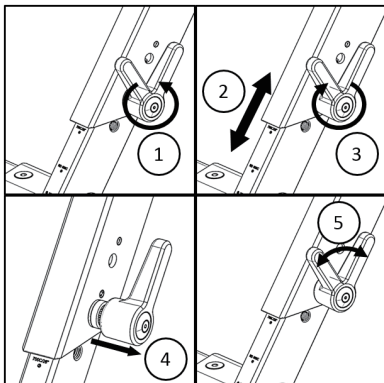


---

### 4. Adjust the telescopic stand position to the correct wheel size indicated on the stand and lock the position.

E.g. 700C/26" ② is 700C wheel size and lock position is No. 2.

- ① Loosen the telescopic stand lock handle
- ② Adjust the telescopic stand position
- ③ Tighten the telescopic stand lock handle on the correct locking position
- ④⑤ Adjust the telescopic stand lock handle location parallel with Telescope Stand

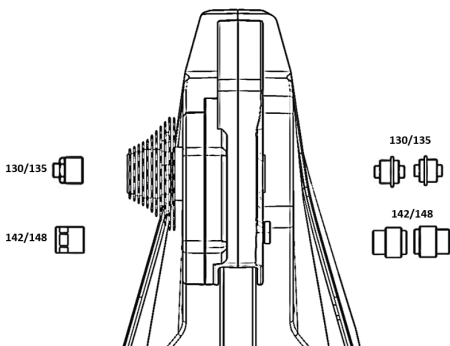


## 5. Change the hub spacers (If needed)

Note: The standard specification of CycloSmart is 130/135 hub spacer (pre-installed). The alternative hub spacer specification is 142/148 which comes with CycloSmart. Please follow the instructions for changing spacers, if needed.

a. 130→135 : Pull out the right hub spacer. Turn it around and insert it back in.

b. 130(135)→142(148) : Disassemble the left 130/135 hub spacer by using the 17mm wrench. Assemble the left 142/148 hub spacer. The standard torque value is 8Nm. Pull out the right 130/135 hub spacer and insert in the right 142/148 hub spacer.



## 6. Change the cassette (if needed)

a. Remove the quick release.

b. Disassemble the left 130/135 hub spacer by using the 17mm wrench.

c. Remove the cassette lock ring by using a cassette lockring tool and chain whip/sprocket remover.

d. Remove the original cassette. Assemble the new cassette. Tighten the lock ring to the torque value recommended by the cassette manufacturer.

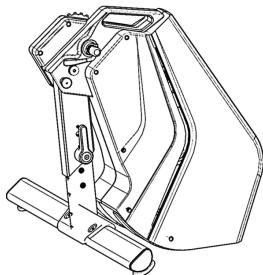
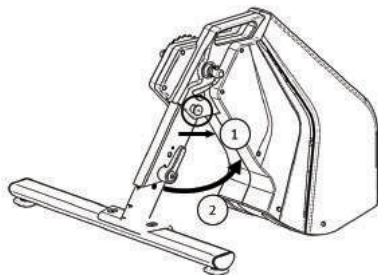
Note : Use the supplied spacer for 9/10 speed cassettes **4**

**7. Take out the rear wheel of your bike. Mount your bike on the CycloSmart. Tighten the quick release appropriately.**

**8. Connect the Power adapter**

Caution: please use the power adapter from CycloSmart only. Use of other power adapters will cause the CycloSmart failure and voids your warranty.

**9. Storage of the CycloSmart**



---

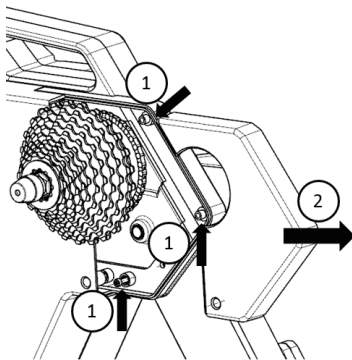
**Maintenance**

Depending on the usage conditions, the chain should be greased regularly or at least every 3 months to reduce noise and increase the lifecycle.

Caution:

Please apply chain lubricant properly: Too much or not applying chain lubricant will not benefit the lifecycle of the chain. Too much lubricant may cause it to drip on the belt underneath the chain. Causing the belt to slip when rotating which affects the rotation performance of the belt. Not applying chain lubricant may increase noise of rotation.

1. Remove the indicated bolts with a 2.5 mm Allen key.
2. Pull off the cover and apply chain lubricant properly.



## **Download Giant RideLink App**

The Giant RideLink App is available for Apple® iOS and Android system. Please go to the App Store or Google Play to search Giant RideLink App and download it.

iOS: <https://itunes.apple.com/tw/app/ridelink/id1361498436?mt=8>

iOS system must be version 10.0 or higher version.

Android:

<https://play.google.com/store/apps/details?id=tw.giant.ridelink>

Android system must be version 5.0 or higher version.

---

## **Firmware information**

Giant keeps developing and releasing the updated versions of firmware to provide the latest functions. The latest firmware for Giant Power Pro can be updated by using Giant RideLink app. For more details and information about firmware, please visit

<https://www.giant-bicycles.com/support/manuals>.

---

## **Service and technical support**

For the multi-language manuals and more information about pairing, Spindown, firmware update...etc., please visit:

<https://www.giant-bicycles.com/global/support/manuals>

If you encounter difficulties or are uncertain about anything mentioned in this user manual, please contact your local authorized Giant retailer.

To find one, or to learn more about Giant, go to [www.giant-bicycles.com](http://www.giant-bicycles.com)



## Troubleshooting

Q: What is the weight limitation of CycloSmart?

- Please check the weight limitation of your bicycle. Please do not exceed the limitation.

Q: Why can't I pair the CycloSmart?

- Check power adapter connection with CycloSmart.
- Update the firmware.
- Update the RideLink.
- Turn off the RideLink and open it again.
- Check the Bluetooth/ANT+ LED which is blinked or not.
- Check if the Bluetooth function of your smartphone is switched on.
- Turn off the Bluetooth of your smartphone and open it again.
- Check the functionality of the ANT+ device that you're using.
- Check the internet connection of your smartphone.

Q: When to do the Spindown?

- In order to get a more accurate power value, it is recommended to do a Spindown before each use or at least once a month.

Q: Does CycloSmart support 3rd party Apps?

- Yes.

Q: Something wrong with Speed/Power reading.

- Please update firmware.
- Please perform Spindown again.

Q: I can hear abnormal noise when pedaling/coasting/shifting.

Pedaling/coasting noise:

- Please check the all components on your bicycle which should be tight properly.
- Please apply chain oil to chain properly.

Shifting noise:

- Please check the adjustment of the drivetrain of your bicycle.

Q: Can I use Campagnolo freehub?

- Yes. Remove the quick release first. Disassemble the left side 130/135 hub spacer using 17mm wrench. Remove the entire cassette and freehub. Replace for a compatible Campagnolo freehub and cassette. Assemble the left side hub spacer. The standard torque value is 8Nm.

If the suggestions can't solve above problems, please contact your local authorized Giant retailer.

## Giant limited warranty

Giant warrants its CycloSmart for a period of two (2) years from the date of purchase, this applies only for the original owner.

This warranty applies only to this product when purchased new from an Authorized Giant Dealer and assembled by that dealer at the time of purchase.

### LIMITED REMEDY

Unless otherwise provided, the sole remedy under the above warranty, or any implied warranty, is limited to the replacement of defective parts with those of equal or greater value at the sole discretion of Giant. This warranty extends from the date of purchase, applies only to the original owner, and is not transferable. In no event shall Giant be responsible for any direct, incidental or consequential damages, including, without limitation, damages for personal injury, property damage, or economic losses, whether based on contract, warranty, negligence, product liability, or any other theory.

### EXCLUSIONS

The above warranty, or any implied warranty, does not cover:

- Normal wear and tear on parts in situations where there are no assembly or material defects.
- Consumable components including cassette, 16T/36T gear, chain, bearing, axle, flywheel, belt, small/big belt pulley, Guide wheel set, freehub, quick release, bolts, handle/lever, telescope Stand, stabilizer Foot Bolt, trainer pad...etc.
- Products serviced by other than an Authorized Giant dealer.
- Modifications of the product from its original condition.
- Use of this product for abnormal, competition and/or commercial activities or for purposes other than those for which this product was designed.
- Damage caused by failing to follow the User's Manual.
- Paint, finish and decal damage resulting from taking part in competitions, jumping, downhill and/or training for such activities or events or as a result of exposing the product to, or operating the product in, severe conditions or climates.
- Labor charges for part replacement or changeover.

Except as is provided by this warranty and subject to all additional warranties, Giant and its employees and agents shall not be liable for any loss or damage whatsoever (including incidental and consequential loss or damage caused by negligence or default) arising from or concerning any Giant product.

Giant makes no other warranties, express or implied. All implied warranties, including the warranties of merchantability and fitness for a particular purpose are limited in duration to that of the express warranties stated above.

Any claim against this warranty must be made through an Authorized Giant Dealer or distributor. The purchase receipt or other proof of the date of purchase is required before a warranty claim may be processed.

Claims made outside the country of purchase may be subject to fees and additional restrictions.

Warranty duration and details may differ by country. This warranty gives you specific legal rights, and you may also have other rights which may vary from place to place. **THIS**

**WARRANTY DOES NOT AFFECT YOUR STATUTORY RIGHTS.**



## Technology

Wireless Technology	ANT+, ANT+ FE-C, & BLE FTMS
Devices	iOS / Android / PC (Mac and Windows)
Resistance Unit Type	Controllable Eddy Current Brake
Accuracy	± 2%
Firmware Update OTA	Yes
Metrics	Power / Distance /Speed (with RideLink App)
Power Sources	AC to DC adaptor

## Compatibility

Wheel Size	24", 650c, 700c, 26", 27.5", 29"
Hub Types	130/135mm QR, 142x12mm, 148x12mm(with adapter)
Drivetrain(Cassette)	11 Speed (compatible with 9 & 10)
Front Wheel Block	Not Needed

## Specifications

Total Weight	16.5 kg / 36.3 lbs
Footprint (D x W)	65cm x 66cm / 26" x 26"
Electrical Connection	Yes
Flywheel Weight	3.5 kg / 7.7 lbs
Max Power	2300 W (at 130 cadence with gear ratio 53:11)
Max Incline	20%
Test Frequency	2.402 – 2.480 GHZ (BLE) 2.457 GHZ(ANT+)
Output Power	4.55 dBm (e.i.r.p.) (BLE) 4.69 dBm (e.i.r.p.) (ANT+)

### Manufacturer

**Giant MFG. Co. Ltd**

19, Shun-Farn Road, Tachia, Taichung,  
43774, Taiwan, R.O.C

### Distributor in US

**Giant Bicycle Inc**

3587 Old Conejo Road, Newbury Park,  
CA 91320