

CLUTCH FORK STORAGE TOOLS USER'S MANUAL



CO2 INFLATOR KIT



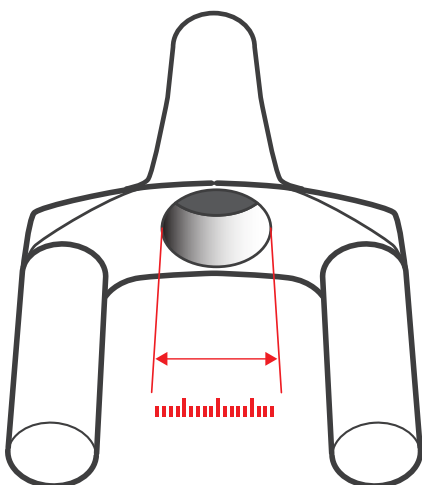
33-34MM



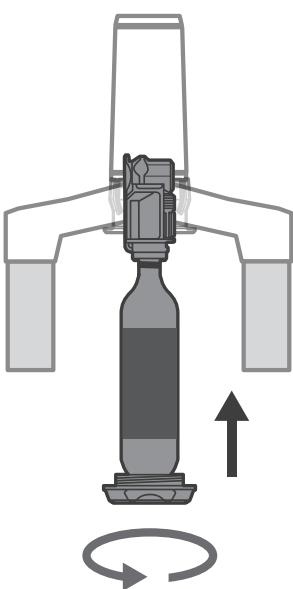
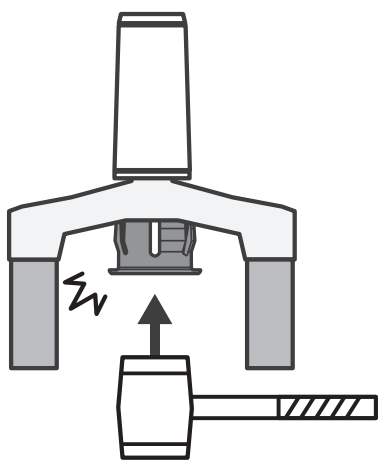
32MM

FORK RING X2

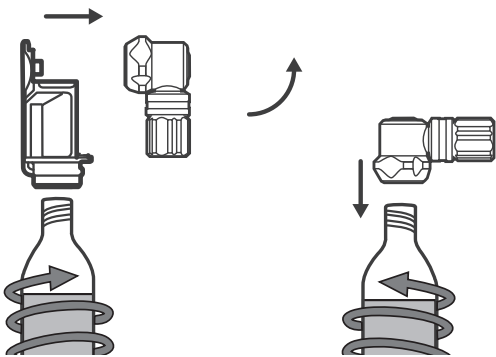
HOW TO INSTALL



INNER DIAMETER OF STEERER TUBE



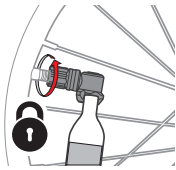
HOW TO USE



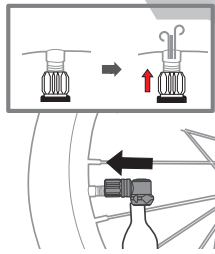
1.



2.



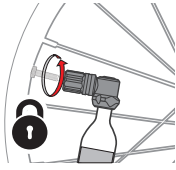
3.



1.



2.



3.

