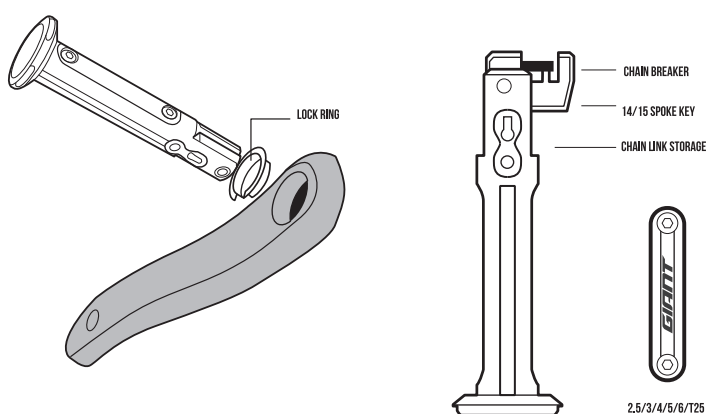
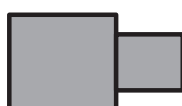


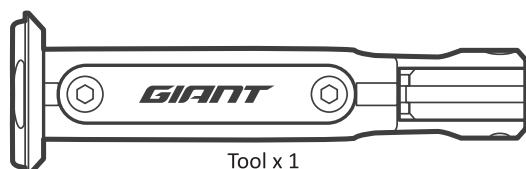
CLUTCH CRANK STORAGE TOOLS USER'S MANUAL



Lock ring X 3



Install tool

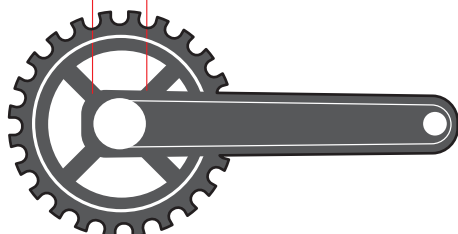


Tool x 1

HOW TO INSTALL



INNER DIAMETER OF SPINDLE



19MM
For SRAM DUB
Carbon fiber crank



23MM
For Praxis works
Carbon fiber Crank



24MM
For SRAM DUB
Aluminum material Crank

