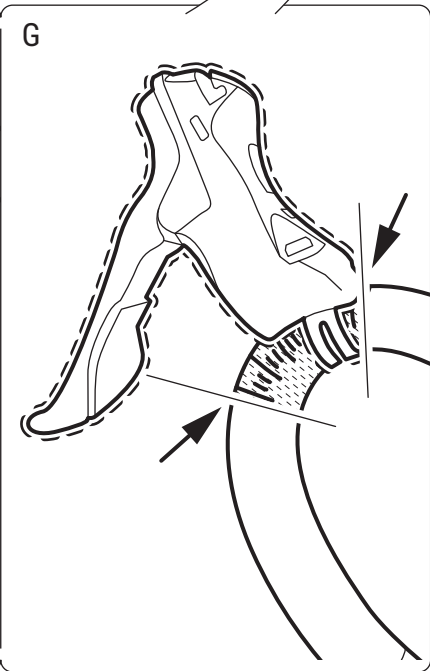
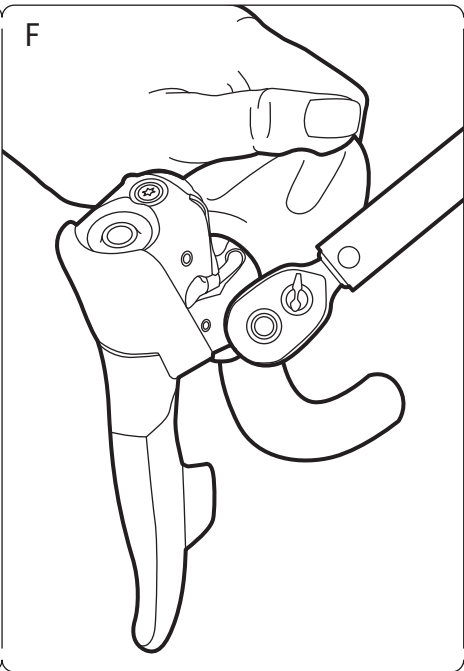
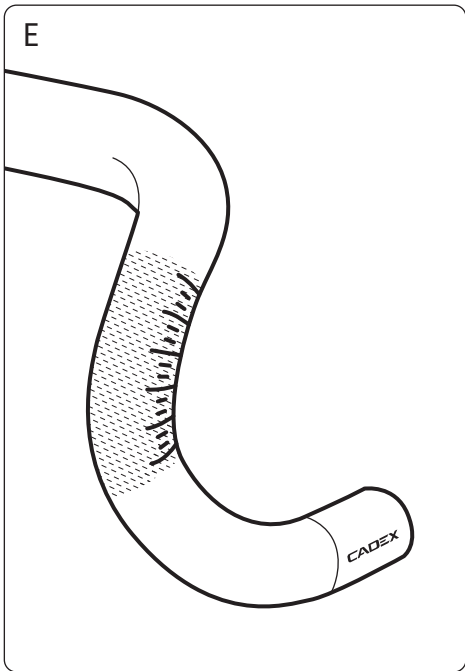
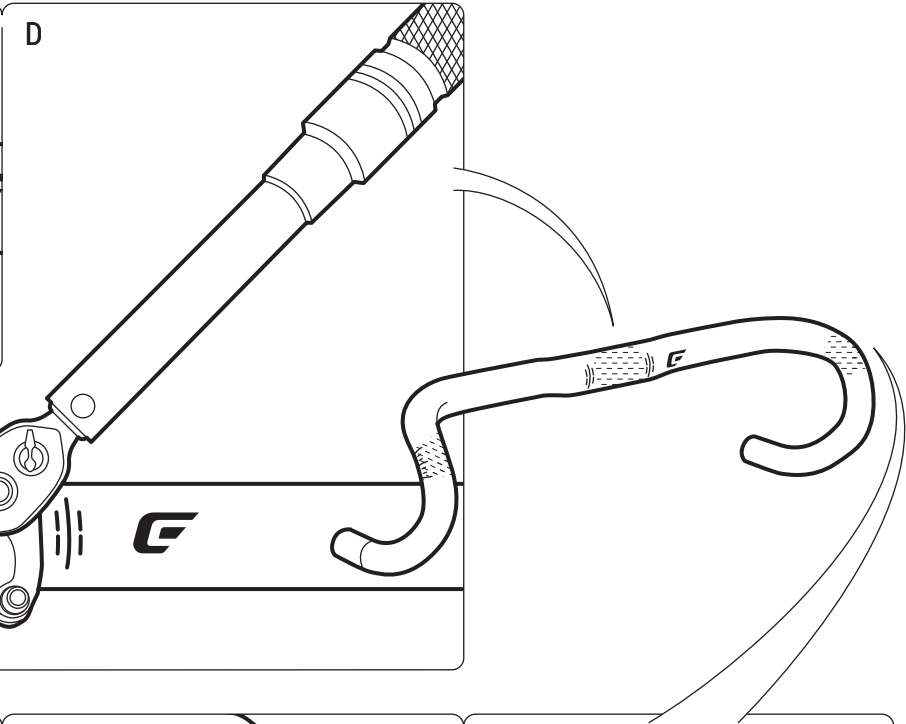
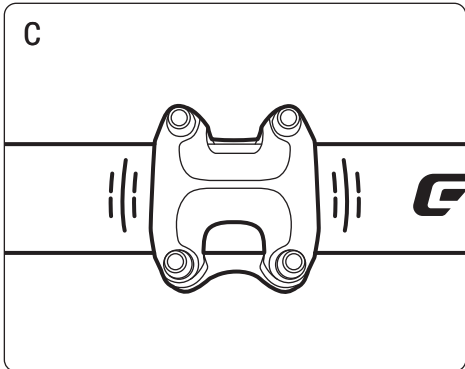
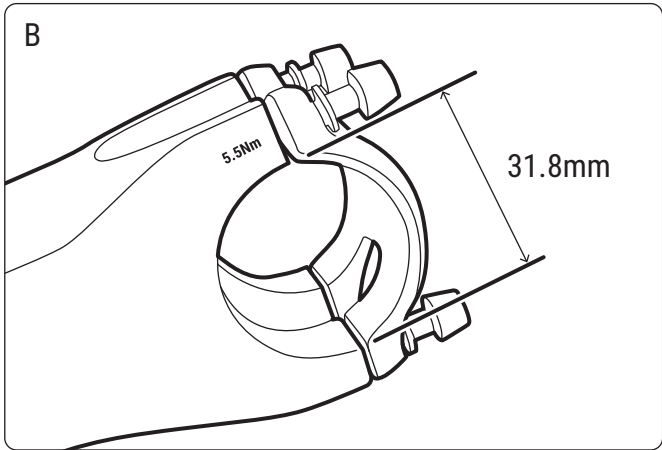


CADEX

CADEX HANDLEBAR



THANK YOU

Thank you for selecting a CADEX handlebar. CADEX bars are precisely engineered and innovatively designed bicycle handlebars which provide you the performance you need to help you achieve your cycling goals. Following the instructions below will ensure that you get optimal performance from your bars for their lifetime.

If you have any questions about your bars or anything covered in this manual, please contact an authorized CADEX retailer.

PRODUCT REGISTRATION

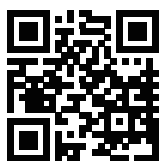
By scanning the QR code located on the handlebar (fig. A), you will be able to register your new CADEX product and receive unmatched technical service and support.

For more information, please visit: <https://www.cadex-cycling.com/global/productregistration>



IMPORTANT

This manual contains important safety, performance and service information. Make sure you are familiar with the information provided in the manual prior to installing your handlebar or before going on your first ride and keep it for future reference. For further information, please visit: www.cadex-cycling.com



INSTALLATION

The use of lightweight materials with very close tolerances requires professional installation. CADEX handlebars should always be installed by a professional bicycle mechanic using a torque wrench and proper torque values.

WARNING: Failure to tighten to specified torque values could result in unexpected movement or damage to the handlebar, and possible severe injury or death.

INTENDED USE

CADEX handlebars are designed to be used for road, gravel and cyclocross riding under normal riding and racing conditions. They are not designed for extreme use such as freeriding, dirt jump, etc.

WARNING: After a crash, accident or other major impact, have your CADEX handlebars checked, and if necessary, replaced by authorized CADEX retailer.

If your CADEX handlebars produce any creaking or cracking noises or show any external damage, such as notches, cracks, dents, discoloration etc., stop using them immediately and contact authorized CADEX retailer to check and replace them if necessary.

For safety reasons, products made of carbon must never be repaired. Replace damaged carbon components immediately.

INSTALLATION

Handlebar Clamp Size: 31.8 mm

1. Ensure that the stem you are using has the correct clamp size for compatibility (fig. B)
2. Inspect the handlebar for any nicks or gouges in the composite that may have occurred during handling. This type of damage can cause stress risers and lead to premature failure of the part, and possible injury or death.
3. Inspect the stem clamp and faceplate for any burrs or sharp edges that could scratch or gouge the handlebar during installation or adjustment. Remove these burrs with a small rasp or piece of sandpaper. Damage from burrs or sharp edges can cause stress risers and lead to premature failure of the part, and possible injury or death.
4. Using the indicator on the handlebar, center the handlebar and position in the stem clamp to your preference. (fig. C)
5. Tighten the faceplate screws to the manufacturer's recommended torque. (fig. D)
Warning: Do not exceed 5.5Nm.
6. Ensure the control unit mounting area is free of dirt and grease.
7. Install the control units on the handlebar by sliding them into position
8. Using the micro-adjust indicators on the bar, align the control units to your preference. (fig. E)
9. Tighten the fixing bolts on the clamps of control units to the manufacturer's recommended torque value - 6Nm to 8Nm for Shimano and 6Nm for SRAM. (fig. F)
Warning: Do not over-tighten the clamps of the control units or attach the clamps of the control units outside of the marked clamping area.(fig. G)
10. Install handlebar tape and end plugs.

Maintenance and Cleaning

Inspect the handlebar from time to time for damage. To clean, wipe down with a soft cloth and non-abrasive cleaner.

The salt from sweat can corrode the clamps of your control units, so replace your handlebar tape once a season. Doing this will also give you time to inspect your bar.